



Advanced Configuration

Ecological and economical

- ▶ Customized XCMG exclusive engine can meet Euro stage IV Emission Standard
- ▶ Adopt redox and exhaust gas recirculation technologies to reduce gas emission.
- ▶ Operations in ECO mode can save more fuel for you.

Excellent after-sales service

- ▶ Global after-sales service system and quick response mechanism.
- ▶ Real-time technical consultation and maintenance.

Convenient maintenance

- ▶ Easy maintenance design, open the engine hood for no dead angle maintenance.
- ▶ 500h maintenance period.

Multiple applications

- ▶ Different boom, arm and bucket combinations can adapt to as many working conditions as possible.
- ▶ Multi-functional work tool system can meets various operational requirements including digging, breaking, thump plier and so on.

Safe and durable

- ▶ Upgrade undercarriage to improve load bearing performance.
- ▶ Strengthened key stress-bearing parts of chain links.
- ▶ Anti-rolling cab improves safety.

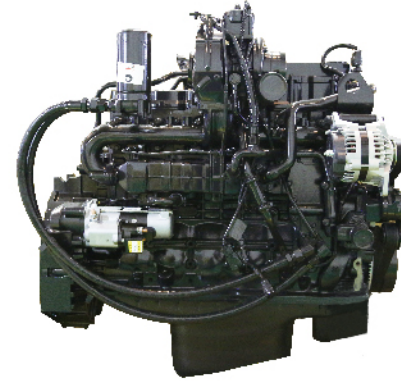
Comfortable operating experience

- ▶ Air conditioner and heater ensure the appropriate temperature.
- ▶ Rear camera and right camera provide better view.
- ▶ Air suspension seat equipped with electric heating function.
- ▶ Integrated control panel and large display screen provide multiple information.



Ecological And Economical

- ▶ As the latest jointly developed environment-friendly engine that meets Euro stage IV emission Standards, XE210U uses the redox technology and exhaust gas recirculation technology to reduce nitrogen oxide emission to 0.4g/kWh, efficiently reducing harmful substances discharged into the atmosphere.



- ▶ The new-type negative flow main control valve featuring large diameter and low pressure loss, can reduce pressure loss by 30%, and realize high transmission efficiency; the newly developed meso-position unloading valve can reduce standby pressure from 4 Mpa to 0.3 Mpa and save energy by about 2%; the cancellation of boom priority valve helps eliminate throttling energy loss, saving about 1.7% of energy in leveling operation and 3.8% of energy in loading operation.



Multiple Applications

- ▶ The independently developed multi-functional intelligent work tool control system can realize crushing, shearing, cleaning, compacting, milling, transporting, pinching, grasping, scraping, loosening, lifting, and other operations, and can truly integrate multiple operations into one machine.
- ▶ With first-rate digging force, the machine can be fully competent under complicated working conditions.



Comfortable And Reliable

Comfortable

- ▶ Brand-new Air conditioner and heater: Indoor and outdoor ambient temperature can be perceived through sensors and automatically adjusted to comfortable temperature. A good comfortable environment for operators can be provided with the cooperation of a multi-position adjustable air outlet.



- ▶ Comfortable high-performance seats: air suspension seats with electric heating functions can achieve multi-dimensional adjustment and isolation of vibration waves.

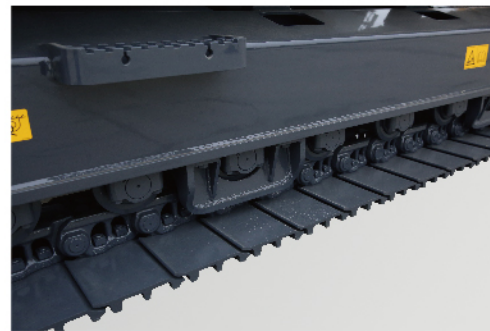
New generation of instruments: high-end 7-inch large screen display, detailed page layout, clear picture quality, reserved video display function in addition to main functions, and supporting a variety of video formats.



Reliable

- ▶ The longitudinal beam is changed from hill type to half-hill type, reinforced ribs are added both inside and outside the guide holder, both left and right ribbed slabs of X frame are thickened by 6 mm, the cross section is heightened by 39mm and the cover plate is thickened by 2 mm, the stiffness of the whole chassis is better.

Key stress-bearing parts of chain links are strengthened, and strength and impact resistance of chain links are improved, so the service life of crawler is prolonged.



- ▶ The boom uses the swallow tail design at the boot to reduce stress concentration. The side plate of the arm is thickened by 2 mm, and the front end uses T-sleeve with XCMG patent. The boom and arm use the forged axle bases to increase wear resistance after thermal refining.



- ▶ The side beam of turntable uses D-shaped pipe structure to improve the ability of turntable to resist external impact. Robot welding technology is used in the main body of turntable to improve durability and safety of structural parts.
- ▶ ROPS certified cab can be equipped with top guard, front guard and side guard the requirements of anti-falling objects, and further improving the safety of the cab. Rear camera and right camera have better view.



Maintenance And Service

- ▶ Central electrical box, air filter, diesel filter, oil filter and pilot filter are all accessible for maintenance, which can reduce the maintenance time by 10%.
- ▶ Long maintenance period: Self-lubricating bearings are used at hinges of working devices, whose maintenance period can reach 500 hours. Maintenance periods of engine oil, oil filter element, and fuel filter element can be doubled to 500 hours using XCMG's proprietary technologies, so the maintenance periods are greatly prolonged.
- ▶ A wide range of after-sales service system, quick-response rescue mechanism to ensure that you use at ease.



Standard Equipment

	Name of equipment	XE210U
Engine	Engine model	QSB6.7
	Emission level	Satage IV
	Automatic preheating	
	Oil-water separator with water level indication sensor	
	Radial seal air cleaner	
	Air prefilter	
	50°C high temperature ambient cooling assembly	
	Radiator dust screen	
	Fuel marker	
	Oil-water quick release device	
	Electronically controlled silicone oil clutch	
	Fuel filling pump 50L / min	
	Fuel breather valve	
	Air pressure difference indicator	
	Automatic idle speed	
Hydraulic system	Boom/arm flow regeneration	
	Auxiliary hydraulic valve	
	Reverse rotation damping valve	
	Automatic rotation parking brake	
	Hydraulic buffer valve	
	Straight hydraulic circuit	
	Boom priority valve	
	Rotary logic valve	
	Hydraulic oil ISO VG 46	
	Hydraulic pipeline: breaking hammer and thumb clamp	
Operation mode switching		

Hydraulic system

Rotary anti-sway valve

Spare valve plate

Gauge pressure monitoring

Pressurized cab

Fully adjustable mechanical suspension seat

Air suspension seat with cushion heating

Adjustable seat armrest

Seat belt (51 mm [2 "] wide)

Openable windscreen with auxiliary device

Front windshield divided by 70/30 ratio

Double laminated windshield and other toughened windows

Sliding door upper window

Bi-directional air outlet air conditioner with defroster (automatic type) (pressurization function)

Color liquid crystal display capable of displaying warning information, filter / liquid replacement information and working hours

Cab and interior trim

Control handle

Travel control pedal with detachable manual control lever

Two stereo speakers

Beverage cup holder

Coat and hat hook

Cleanable floor mat

Air conditioning system

High and low gears shift

One-key boost mode

Reserve switch for working aids

Electric sunshade curtain

Top sunroof

Intermittent multi-gear wiper

Cup holder/envelope

Cab and interior trim	Cold and warm storage box
	Radio receiver
	Driving door locks and cabin locks
	Alarm horn
Safety and security configuration	Isolation plate between engine and oil pump chamber
	Engine Emergency Stop Switch
	Rear window emergency exit
	Battery circuit breaker
	Boom and arm retaining valve
	Explosion-proof valve for boom pipeline
	Overheat alarm
	Safety handrails and pedals
	Rotary alarm lamp
	Anti-skid plate/anti-skid paste
Chassis system and shield	Hydraulic safety locking lever
	Emergency escape hammer
	Left and right rearview mirrors
	Counterweight rearview mirror
	Bottom frame traction ring
Working device	600 mm (24 ") three-rib track shoe
	Protective device kit: chassis bottom sealing plate, walking motor sealing plate
	Track double rail protector
Electrical system	Boom
	Arm 2.91 m
	Bucket 1.05M3 Strengthened Bucket
Electrical system	Arm 2.4 m
	Battery (2× 850CCA)

Electrical system	70A alternator
	7.8 kW starter motor
	Travel alarm
	12V cigarette lighter
Lighting lamp	Camera
	5V USB interface
	Right and left boom work lights
Counterweight	Right working light installed on storage box
	Cab interior lighting
Technology	4.25 t counterweight
	XEICS intelligent control system
	Data link socket

Optional Equipment

	Name of equipment	XE210U
Engine	Oil-water separator with heater (24V)	
	Oil bath type air prefilter	
	Coolant heater (fuel type)	
	Rapid fuel filling system	
Hydraulic system	Hydraulic oil ISO VG 32, 68	
	Retractable seat belt (51 mm [2 "] wide)	
Cab and interior trim	Vehicle mounted oxygen supply device	
	Fire extinguisher	
	Explosion-proof valve for arm pipeline	
	Roll over protective structure (ROPS)	
Chassis system and shield	Falling object protective structure (FOPS)	
	Track single rail protector	

Chassis system and shield	230 mm (24 ") double-rib track shoe
	700 mm (28 ") three-rib track shoe
	800 mm (31 ") double-rib track shoe
	600 mm (24 ") three-rib track shoe
	800 mm (31 ") three-rib track shoe
	Track rubber block
	Full-length track guard (two-piece, lower frame needs to be replaced)
Working device	1.0m ³ Rock bucket
	1.2m ³ Earthwork bucket
	Quick coupler
	Hydraulic breaker
	Hydraulic thumb pliers
	Ripper
	Vibratory plate compactor
	Hydraulic shear
	Grapples
	High frequency crusher
	Clamshell bucket
	Scrap grapple
	Screening bucket
	Pipe grab
	24V cigarette lighter
12V power interface	
Lighting lamp	Front working light installed on cab top
	Rear working light installed on cab top
Counterweight	200 kg auxiliary counterweight
Counterweight	Electric self-lubricating system
	Arm concentration

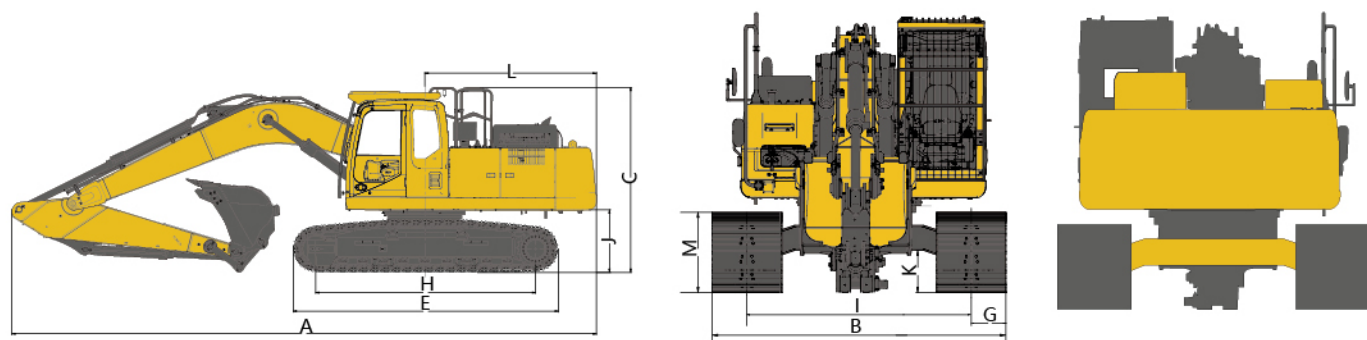
Main Specifications

Item	unit	Main specifications	
Model	/	XE210U	
Operation weight	Kg	21000-23000	
Bucket capacity	m ³	0.8-1.2	
Engine	Model	/ Cummins QSB6.7	
	Direct injection	/	√
	Four strokes	/	√
	Water cooling	/	√
	Turbo-charging	/	√
	Air-to-air intercooler	/	√
	No.of cylinders	/	6
	Rated power	kw/rpm	129/2100
	Maximum torque/speed	N.m/rpm	800/1500
	Displacement	L	6.7
Main performance	Travel speed (H/L)	km/h	5.6/3.5
	Swing speed	r/min	11.8
	Gradeability	°	≤35
	Ground pressure	kPa	48.1
	Bucket digging force	kN	149
	Arm digging force	kN	111
	Maximum tractive force	kN	184
	Main pump	/	/
Hydraulic system	Rated flow of main pump	L/min	2×230
	Main safety valve pressure	MPa	34.3/37
	Travel system pressure	MPa	34.3
	Swing system pressure	MPa	27.5
	Pilot system pressure	MPa	3.9

Item	unit	Main specifications
Oil Capacity	Fuel tank capacity	L 400
	Hydraulic tank capacity	L 220
	Engine oil capacity	L 20
Standard	Length of boom	mm 5680
	Length of arm	mm 2910
	Bucket capacity	m ³ 1.05
Standard	Length of arm	mm 2400
	Bucket capacity	m ³ 1.05(Rock bucket)

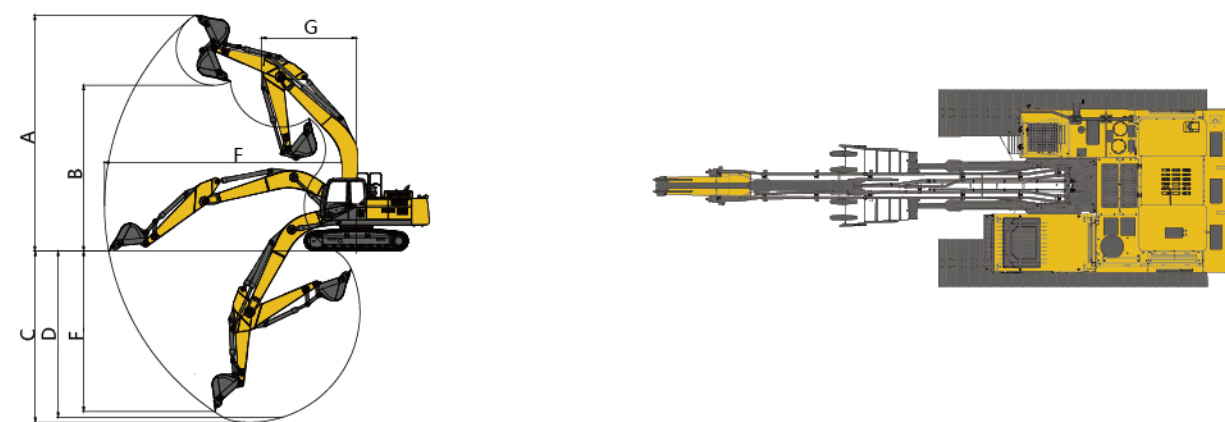
Dimensions

Item	Unit	Parameters
A Overall length	mm	10220
B Overall width	mm	3190
C Overall height	mm	3400
D Width of platform	mm	2830
E Track length	mm	4455
Apperance size	F Overall width of chassis	mm 3190
	G Track shoe width	mm 800
	H Wheel base of crawler	mm 3647
	I Track gauge	mm 2390
	J Counterweight clearance	mm 1056
	K Min. ground clearance	mm 485
	L Min. tail swing radius	mm 2980
	M Track height	mm 810



Working Range

Item	Unit	Parameters
A Max. digging height	mm	9620
B Max. dumping height	mm	6780
C Max. digging depth	mm	6680
D Maximum depth cut for 2240mm(8 ft) level bottom	mm	6500
Working scope	E Maximum vertical wall digging depth	mm 5715
	F Max. digging radius	mm 9940
	G Min. swing radius	mm 3530



Lifting Capacity

Lifting point height (m)	Rated lift capacity – Straight ahead (back) (kg)					Rated lift capacity – over-side (kg)					Lifting capacity at maximum radius	
	Lifting point radius (m)					Lifting capacity at maximum radius	Lifting point radius (m)					
	1.5	3	4.5	6	7.5		1.5/4.9	3/9.8	4.5/14.8	6/19.7		7.5/24.6
7.5				*5030.7		*4638				4411.4		4229.7
6				*4938.2		*4326.2				4420.6		3173.2
4.5				*5363.9	4725.7	4259.4				4266.2	2986.8	2681.9
3				*6080.1	4620.8	3904.5			6103.6	4027.5	2890.9	2435.3
1.5				*9324.9	6251.2	4499.3			5615.9	3799	2779.8	2334.2
Ground		*4968.2	9440.8	6064.9	4399.3	3850.9		9907.3	5357.4	3633.5	2688.3	2365
-1.5	*5614.4	*9343.5	9332	5972.6	4375.8	4169.5	*5614.4	*9343.5	5266.4	3551.6	2666.7	2548.7
-3	*10251	*14177	9413	6016.9		4925.3	*10251	10150	5334.2	3590.9		2996.6
-4.5		*11822	*8325.4			*6430.7		10478	5532.1			4153

Capacities marked with an asterisk(*) are limited by hydraulic capacities.



Machmall.com is an electromechanical product platform officially launched by XCMG, aiming to provide global customers with a complete set of high-quality construction machinery solutions and supporting equipment.

Xuzhou Construction Machinery Group Co., Ltd. (XCMG Group), founded in 1943, is the fourth largest worldwide construction machinery manufacturer and the largest in China with products covering 183 countries and regions.

XCMG have 12 complete solutions: Crane lifting, Mining Construction, Earth-moving Solutions, Road Machinery, Concrete Equipment, Tunnel and Underground Space Construction, Mobile Elevating Work Platform (MEWP), Piling and Non-excavation Equipment, Transportation Equipment, Environmental Sanitation Equipment, Firefighting, Safety and Emergency Rescue


徐工徐工，助您成功

— XCMG for your success —



 <https://www.machmall.com/>

 machmall@xcmg.com

 0086 18652 183963
86-516 8773 9797

